

# 1.07 BGS® Double Blind/Double Multilink Roller System

Vertilux patent no 2004906134

## Technical Information

1. Clutch Winder with direct action dual reverse clutchwound springs.
2. Idle end plug Quick turn spring release for easy pin insertion into bracket. UV stabilised nylon with high resistance to ultraviolet light.
3. Tube Aluminium alloy tube, with multiple cloth fixing. 40mm standard for widths up to 2199mm/ 47mm for widths over 2200mm.
4. Double brackets Colour coordinated pressed powdercoated steel.
5. Male tube connector UV stabilised nylon with high resistance to ultraviolet light.
6. Female tube connector UV stabilised nylon with high resistance to ultraviolet light. Idle end connector. 40mm.
7. Intermediate brackets Colour coordinated pressed steel.
8. Idle end pin lock UV stabilised nylon with high resistance to ultraviolet light. With 4mm tolerance.
9. Bearing lock UV stabilised nylon with bearing for intermediate and idle end.
10. Base rail Extruded aluminium manufactured to ISO9001 patent Vertilux design available in various colours.

**PLEASE NOTE: Only the clutch in this BGS® roller blind system comes with a 15 year warranty.**

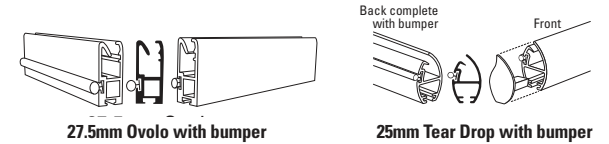
## Dimensions & Limitations

	Double	Double Multilinked
MINIMUM WIDTH*	400mm	800mm
MAXIMUM WIDTH*	3100mm	5000mm
MINIMUM DROP*	500mm	500mm
MAXIMUM DROP*	4500mm	4000mm

**\*NB. With Multilink blinds we cannot guarantee that all blinds will be level in the raised position.**

**Note: Sizes with Fabric widths typically over 3000mm will void warranty.**

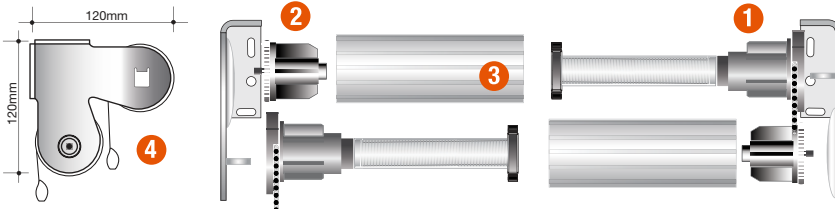
## Standard Base Rail Options



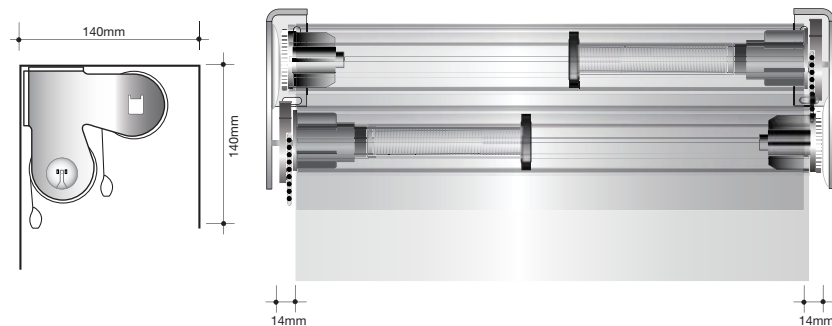
**NOTE: Dimensions relate to height of Base Rail.**

## Double Blind Universal Bracket System

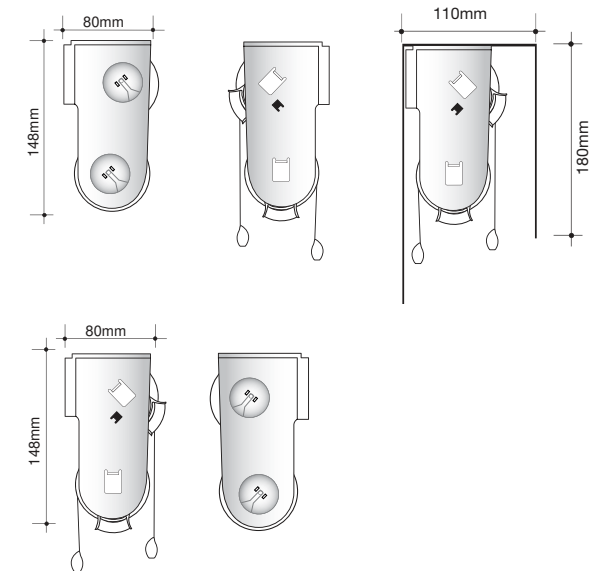
Controllers at either end with 40mm tube. Max drop 3700mm



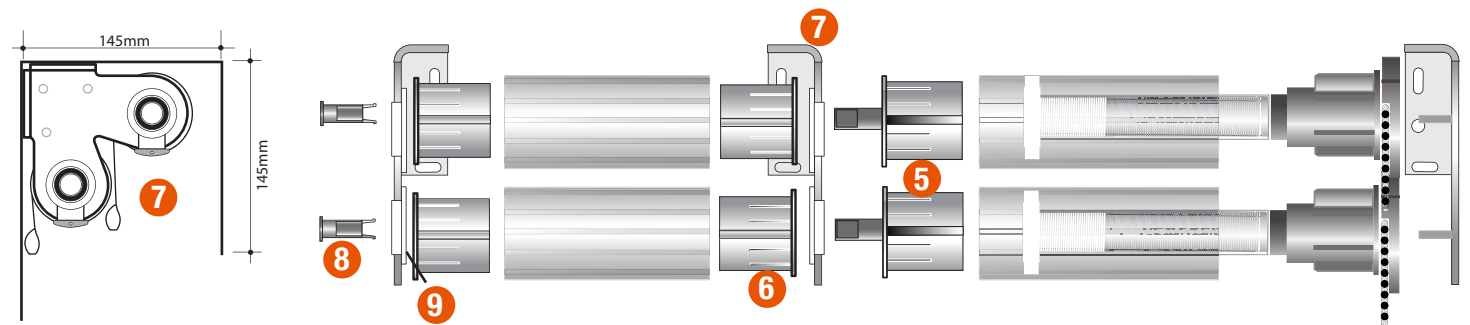
Controllers at either end with 47mm tube. Max drop 3100mm



## Double Blind Slim Roller Bracket



## Double Blind Universal Bracket System - Same Side Control



**NB. Measurements based on the thickest fabric in the Vertilux range 0.65mm.**