

1.04 Multilink BGS® Roller System

spring assist booster with counter balance Vertilux patent no 2004906134

Technical Information

1. Clutch & booster Winder with direct action dual reverse clutchwound springs. High tensile wound steel wire coiled spring booster, with high ratio winding. Vertilux patent no 53651-00.
2. Male tube connector U.V. stabilised nylon with high resistance to ultraviolet light. Idle end connector. 40mm.
3. Key tube Aluminium alloy tube, with multiple cloth fixing. 39mm internal / 46mm external.
4. Brackets Male and female colour coordinated pressed powdercoated steel.
5. Bearing lock U.V. stabilised nylon with bearing for intermediate and idle end.
6. Female tube connector U.V. stabilised nylon with high resistance to ultraviolet light.
7. Idle end pin lock U.V. stabilised nylon with high resistance to ultraviolet light.
8. Base rail Extruded aluminium manufactured to ISO9001 patent Vertilux design available in various colours.

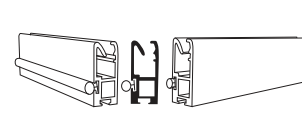
PLEASE NOTE: Only the clutch in this BGS® roller blind system comes with a 15 year warranty.

Dimensions & Limitations

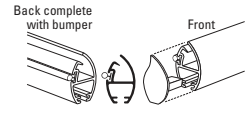
- MINIMUM WIDTH* 600mm
 MAXIMUM WIDTH* 5000mm (Recommended to minimise number of blinds within overall width)
 MINIMUM DROP* 500mm
 MAXIMUM DROP* 4000mm

Note: Sizes with Fabric widths typically over 3000mm will void warranty.

Standard Base Rail Options



27.5mm Ovolo with bumper

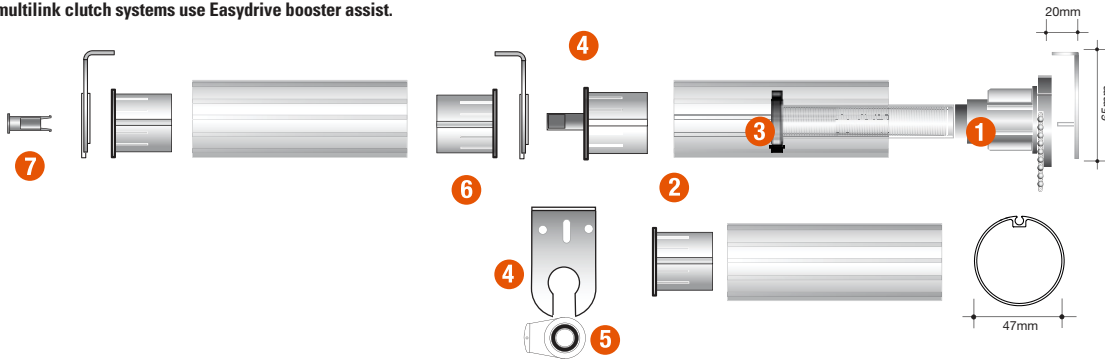


25mm Tear Drop with bumper

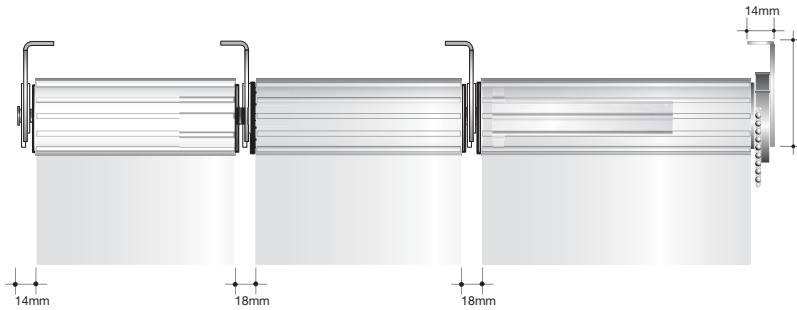
NOTE: Dimensions relate to height of Base Rail.

Componentry + Clutch End

All multilink clutch systems use Easydrive booster assist.

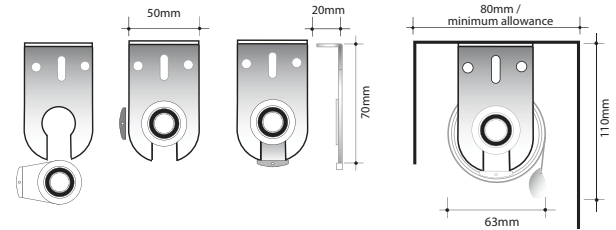


Assembly and Allowances



Idle End / Intermediate Brackets

Clutch end uses standard roller bracket



* NB. Measurements based on the thickest fabric in the Vertilux range with a 3000mm drop

* NB. With Multilink blinds we cannot guarantee that all blinds will be level in the raised position.

References

