

4.2 Easyrise Roman Blind System

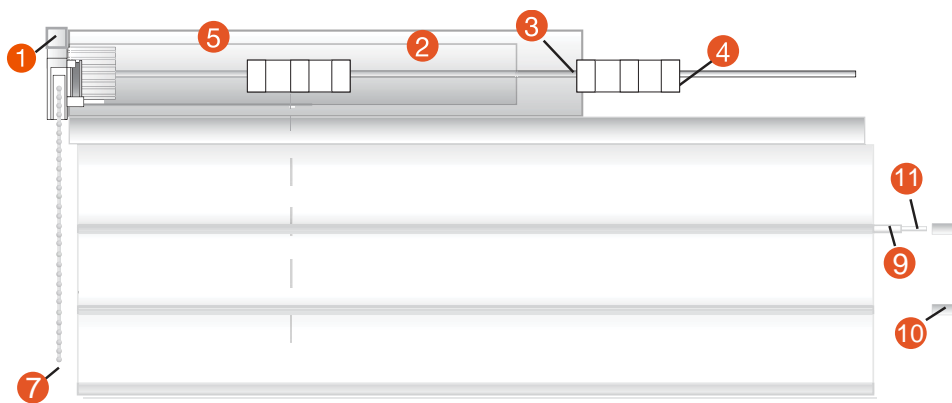
Technical Information

1. Clutch	High strength fibreglass reinforced nylon with high carbon steel with bi-directional wrap spring clutch.
2. Headrail	Extruded aluminium manufactured to ISO9001.
3. Shaft	Extruded aluminium manufactured to ISO9001.
4. Lift spool assembly	Moulded from U.V. resistant polycarbonate.
5. Headrail spline	Extruded polypropylene.
6. Brackets	Spring steel.
7. Loop chain	Moulded U.V. plastic ball chain with polyester core.
8. Internal base rail	Extruded aluminium manufactured to ISO9001.
9. Batten	Extruded aluminium manufactured to ISO9001.
10. Batten end cap	Moulded U.V. resistant polypropylene.
11. Batten spline	Extruded flexible PVC.
12. Batten ring	Moulded U.V. acetal.
13a.Chain tensioner	U.V. stabilised nylon.
13b.Chain tensioner (optional)	U.V. stabilised nylon with high resistance to ultra-violet light. Available in black or white – refer datasheet 1.10.

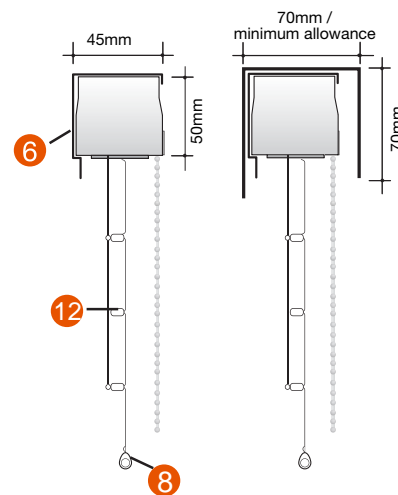
Dimensions & Limitations

MINIMUM WIDTH	350mm
MAXIMUM WIDTH	3000mm
MINIMUM DROP	400mm
MAXIMUM DROP	3000mm
MAXIMUM AREA	6m ²

Componentry



Fixing



References



No unauthorised reproduction of images, wording and technical drawing without permission from Vertilux. Product specifications may vary slightly to actual product. All variations are within industry standards.