

4.1 Contemporary Roman Blind System

Technical Information

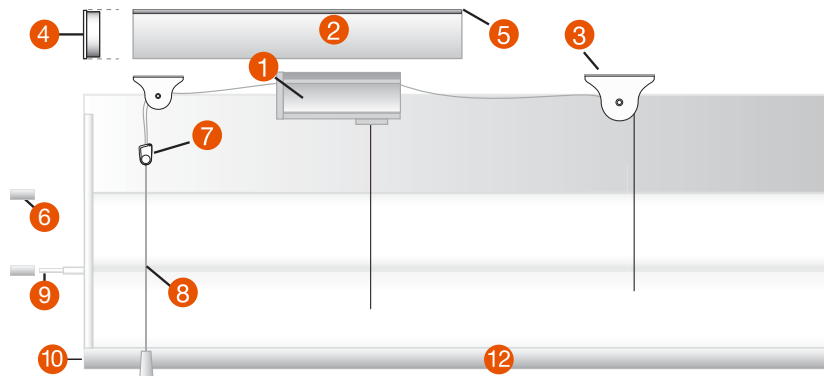
- | | |
|----------------------------------|--|
| 1. Cordlock | Aluminium housing with brass wheels and acetal components. |
| 2. Headrail | Extruded aluminium manufactured to ISO9001. |
| 3. Side pulley | Moulded from U.V. resistant acetal. |
| 4. Top end cap | Moulded from U.V. resistant acetal. |
| 5. Headrail spline | Extruded polypropylene. |
| 6. Batten end cap | Moulded U.V. resistant polypropylene. |
| 7. Break-away safety cord joiner | Moulded from U.V. resistant abs cedal. |
| 8. Cord | 1.8mm high tensile 100% polyester multifilament yarn. |
| 9. Batten | Moulded U.V. acetal. |
| 10. Base rail*** | Extruded aluminium manufactured to ISO9001. |
| 11. Batten spline | Extruded flexible PVC. |
| 12. Internal base rail*** | Extruded aluminium manufactured to ISO9001. |
| 13. Bracket | Spring loaded pressed zinc coated steel. |
| 14. Tassel | Moulded U.V. resistant polypropylene. |

*** Optional Base Rail Detail

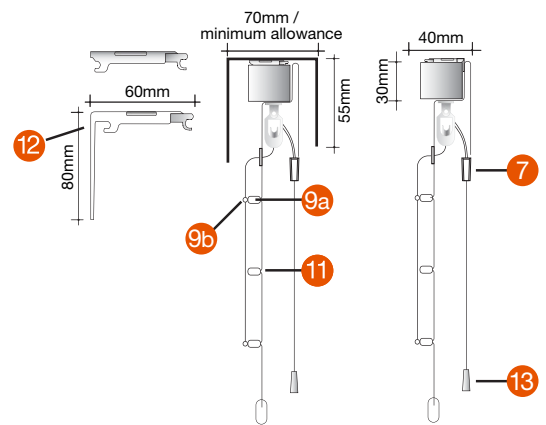
Dimensions & Limitations

| | |
|---------------|-----------------|
| MINIMUM WIDTH | 300mm |
| MAXIMUM WIDTH | 3000mm |
| MINIMUM DROP | 400mm |
| MAXIMUM DROP | 3000mm |
| MAXIMUM AREA | 6m ² |

Componentry



Bracket + Pelmet Allocations



References

