

# 3.1 Pleated / Duopleat System

## Technical Information

1. Cord lock Moulded from U.V. resistant polypropylene with 7 channel cord divider.
2. Head rail Extruded aluminium manufactured to ISO9001.
- 3a/b. Plastic insert ASA extruded 3 channel cord guide distortion resistant to 80°C.
4. Top end cap Moulded from U.V. resistant polypropylene.
5. Base rail Extruded aluminium manufactured to ISO9001.
6. Base rail end cap Moulded from U.V. resistant polypropylene.
7. Inner cord 0.9mm high tensile 100% polyester multifilament yarn.
8. Outer cord 2.2mm high tensile 100% polyester multifilament yarn.
9. Cord joiner Moulded from U.V. resistant polypropylene.
10. Brackets Spring loaded pressed zinc coated steel.
11. Porcelain eyelets Porcelain for wear resistant against polyester cord.
12. Fabric Woven polyester, metallized and non-metallized finishes available.

## Dimensions & Limitations

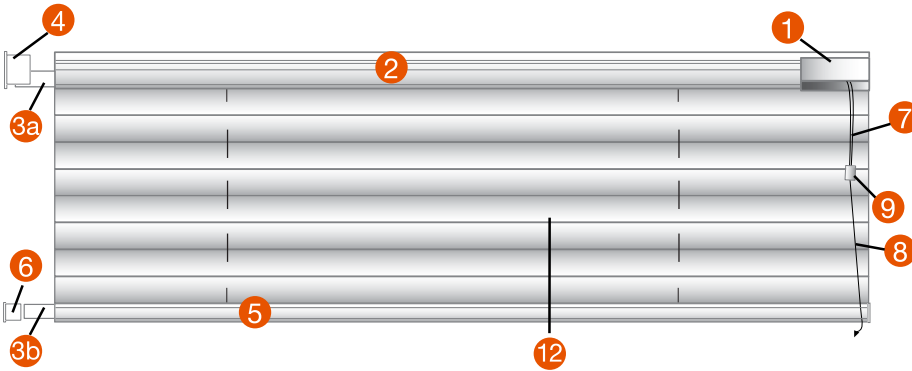
	STANDARD Pleated	Duopleat
MINIMUM WIDTH	200mm	200mm
MAXIMUM WIDTH	5800mm	3000-4400mm (based on fabric selected)
MAXIMUM DROP	6000mm	4000mm
MAXIMUM AREA	25m <sup>2</sup>	12m <sup>2</sup>
SKYLIGHT - POLE OPERATED		
	Pleated	Duopleat
MAXIMUM WIDTH	1800mm	1800mm
MAXIMUM DROP	5000mm	4400mm
<b>Pole length made to order to a maximum length of 4000mm.</b>		
SKYLIGHT - CORD OPERATED		
	Pleated	Duopleat
MAXIMUM WIDTH	4000mm	4000mm
MAXIMUM DROP	5000mm	4400mm

**Additional cord length and pulleys required.**

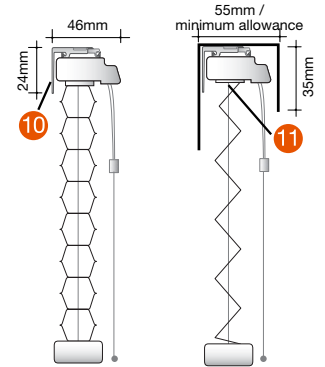
**For all special shapes, please call customer service for limitations.**

**No cordlock is available where the width exceeds 3600mm where it requires more than 7 cords.**

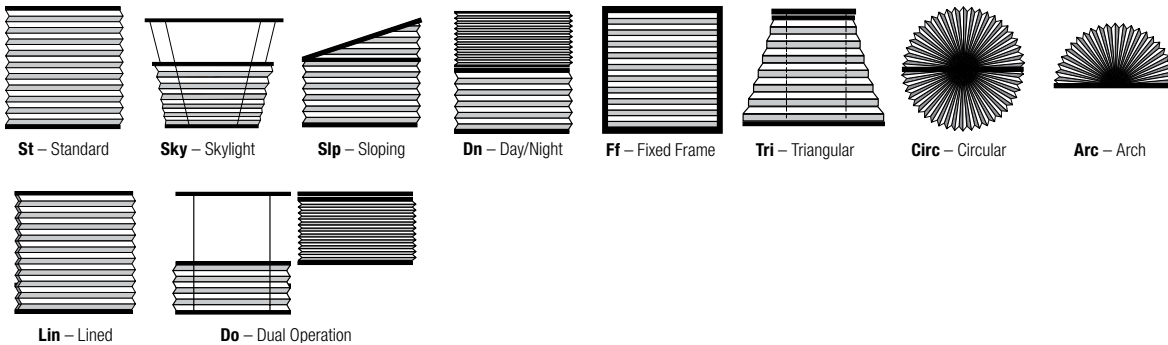
## Componentry



## Fixing + Pelmet Allocations



## Shapes



## References

