

2.7 Double Glazed (Interstitial) Venetian System

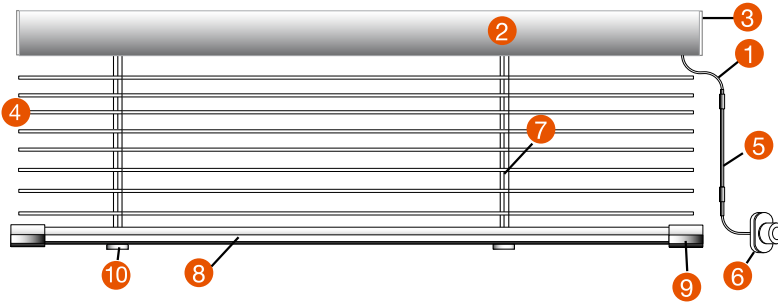
Technical Information

1. Tilt shaft connection cable Cast aluminium shaft connector with flexible PVC covered, nickel plated woven steel cable core.
2. Head rail Roll-formed from 0.05mm aluminium/zinc coated steel with a thermoset polymer coating.
3. Top end caps Colour coordinated. Moulded from U.V. resistant polypropylene.
4. Slat/coil Manufactured from 0.175 thick high tensile aluminium alloy (5754), which is crowned and flexible to bend 180° around a 12.5mm radius without incurring any permanent deformation.
5. Tilt Shaft Galvanised Steel HEX Shaft.
6. Control knob Moulded U.V. resistance acetal knob with cast aluminium shaft connector, and covered with flexible PVC nickel plated woven steel cable core.
7. Ladder 2 ply spaced ladder in woven polyester.
8. Bottom rail Roll-formed from 0.05mm aluminium/zinc coated steel with a thermoset polymer coating. Full enclosed "D" section containing both ladder and cord, preventing them from being exposed.
9. Bottom rail end caps Colour coordinated. Moulded from U.V. resistant acetal.
10. Bottom rail buttons Colour coordinated. Moulded from U.V. resistant acetal.
11. Brackets Pressed zinc coated steel with spring loaded locking mechanism.
* Please note for headbox component breakdown refer to 25mm spec. 2.01

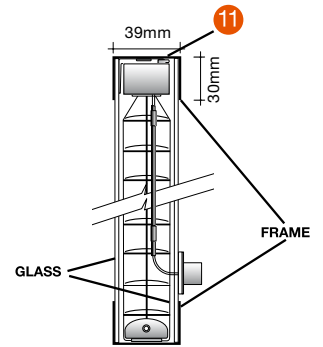
Dimensions & Limitations

SLAT SIZE	25mm
MINIMUM WIDTH	200mm
MAXIMUM WIDTH	2500mm
MAXIMUM DROP	3300mm
MAXIMUM AREA	9m ²
STACK HEIGHT	(0.034 x drop + 45mm)

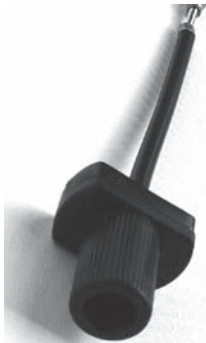
Componentry



Brackets



Control Knob Options



Standard control knob



Anti ligature



Allen key

References

