

# 1.09 Double Blind Motorised Multilink Roller System Motorised 40mm/50mm Vertilux patent no 2004906134

## Technical Information

1. Double brackets Male and female colour coordinated pressed powdercoated steel.
2. Motor plate adaptor UV treated nylon.
3. 40mm / 50mm motor Somfy to suit application.
4. Key tube Aluminium alloy tube, with multiple cloth fixing. 47mm / 56mm external.
5. Bearing lock UV stabilised nylon with bearing for intermediate and idle end.
6. Male tube connector UV stabilised nylon with high resistance to ultraviolet light.
7. Female tube connector UV stabilised nylon with high resistance to ultraviolet light. Idle end connector. 40mm.
8. Idle end pin lock UV stabilised nylon with high resistance to ultraviolet light. With 4mm tolerance.
9. Base rail Extruded aluminium manufactured to ISO9001 patent Vertilux design available in various colours.

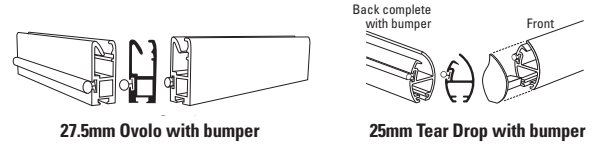
## Dimensions & Limitations

MINIMUM WIDTH*	LS 40 - 600mm LT 50 - 670mm RTS 40 - 630mm RTS 50 - 730mm	MAXIMUM WIDTH* 8000mm (Recommended to minimise number of blinds within overall width)
MINIMUM DROP*	500mm	
MAXIMUM DROP*	5000mm	

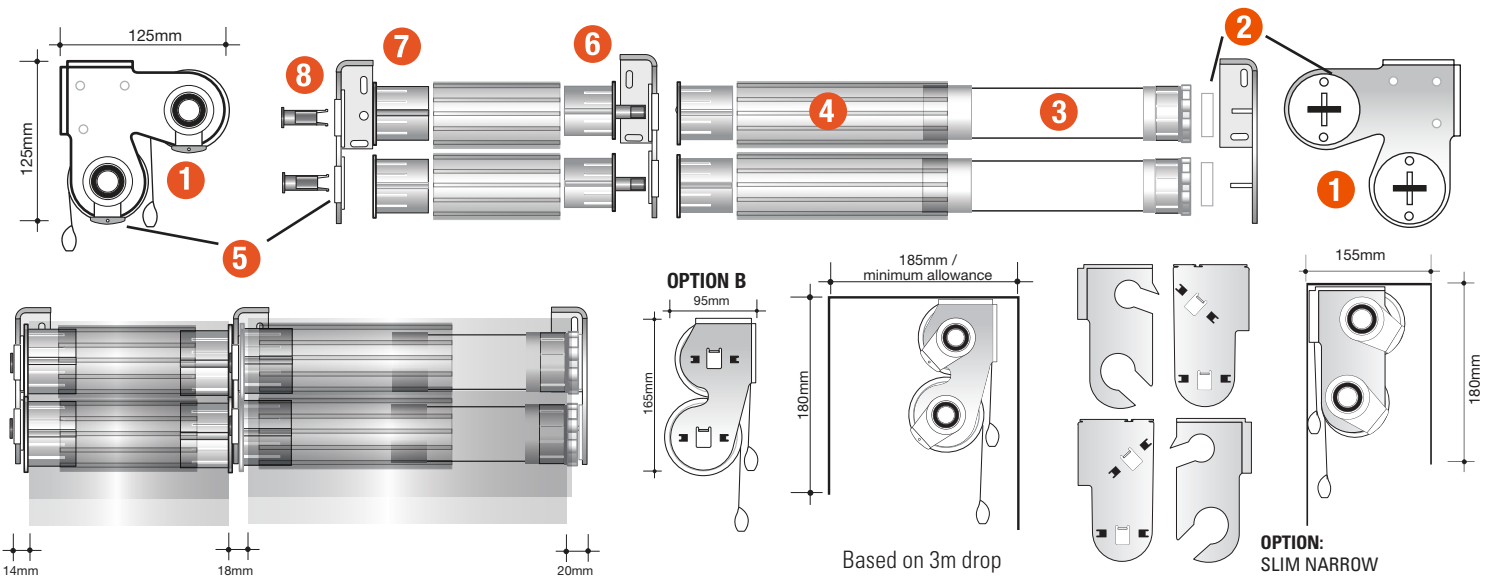
\* NB. With Multilink blinds we cannot guarantee that all blinds will be level in the raised position.

Note: Sizes with Fabric widths typically over 3000mm will void warranty.

## Standard Base Rail Options



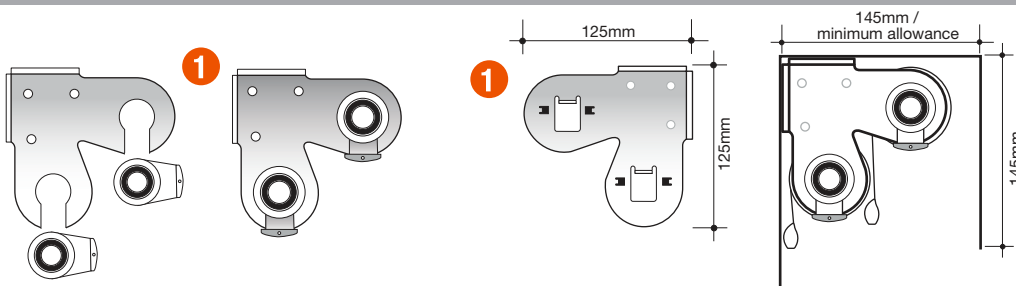
## Assembly with Controllers at Same End



NB. Measurements based on the thickest fabric in the Vertilux range 0.65mm.

NB. Due to fabric behaviour, blinds are guaranteed to be level in the down position, but are not guaranteed to be level in the up position.

## Idle End / Intermediate Brackets 56mm + 69mm Tube Only



## References

