

# 1.06 Motorised Multilink Roller System 47mm/56mm/69mm tube Vertilux patent no 2004906134

## Technical Information

1. **40mm / 50mm motor** Motor to suit application.
2. **Male tube connector** UV stabilised nylon with high resistance to ultraviolet light.
3. **Key tube** Aluminium alloy tube, with multiple cloth fixing. 47mm / 56mm / 69mm external.
4. **Brackets** Male and female colour coordinated pressed powdercoated steel.
5. **Bearing lock** UV stabilised nylon with bearing for intermediate and idle end.
6. **Female tube connector** UV stabilised nylon with high resistance to ultraviolet light. Idle end connector. 40mm.
7. **Idle end pin lock** UV stabilised nylon with high resistance to ultraviolet light. With 4mm tolerance.
8. **Motor plate adaptor** UV treated nylon.
9. **Ring adaptors** UV stabilised nylon adaptor for 40mm / 56mm / 69mm tube.
10. **Base rail** Extruded aluminium manufactured to ISO9001 patent Vertilux design available in various colours.

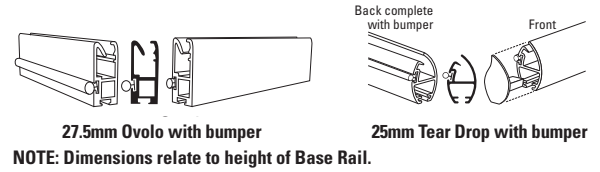
## Dimensions & Limitations

MINIMUM WIDTH*	LS 40 - 600mm LT 50 - 700mm RTS 40 - 630mm RTS 50 - 730mm	MAXIMUM WIDTH* 8000mm (Recommended to minimise number of blinds within overall width)
		MINIMUM DROP* 500mm
		MAXIMUM DROP* 5000mm

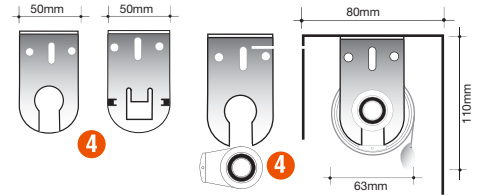
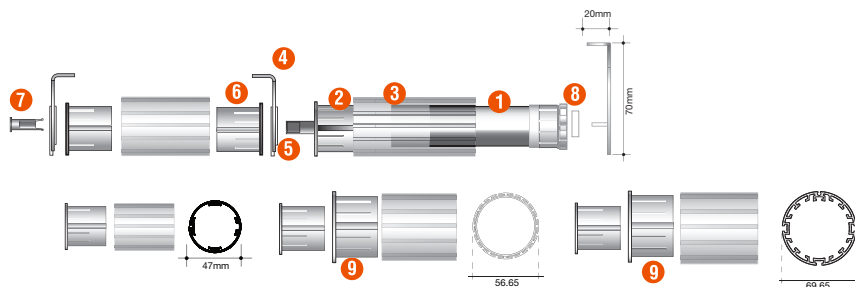
**\* NB. With Multilink blinds we cannot guarantee that all blinds will be level in the raised position.**

**Note: Sizes with Fabric widths typically over 3000mm will void warranty.**

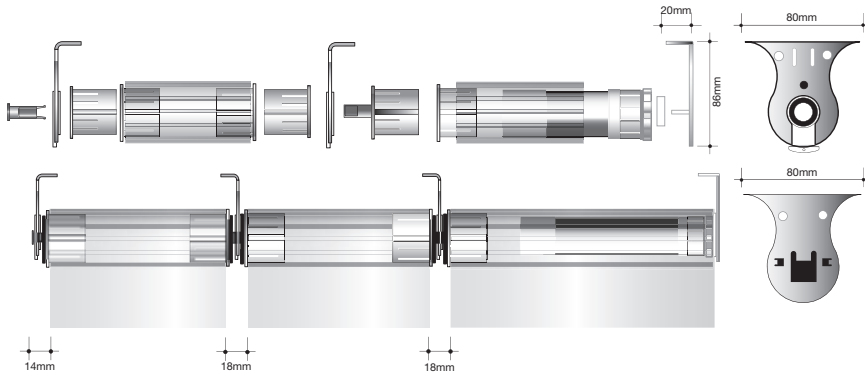
## Standard Base Rail Options



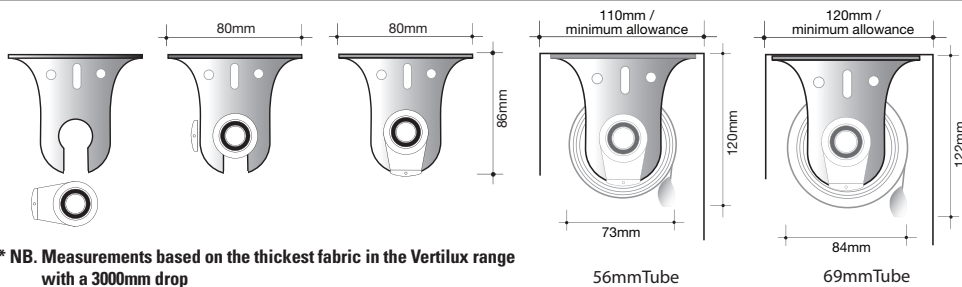
## 40mm Motor Componentry with Intermediate Bracket



## 50mm Motor with 56mm/69mm Adaptors with Intermediate Bracket



## Idle End / Intermediate Brackets 56mm + 69mm Tube Only



## References

